

A

A

B

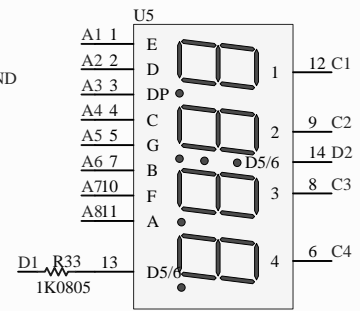
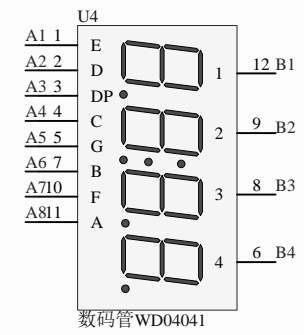
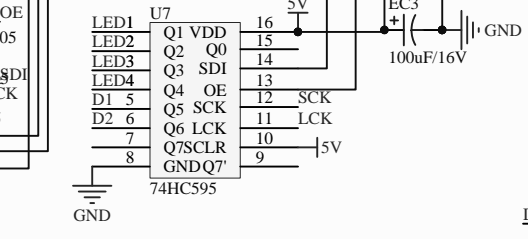
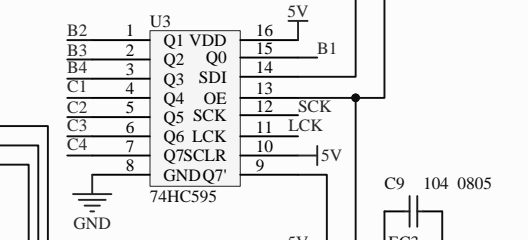
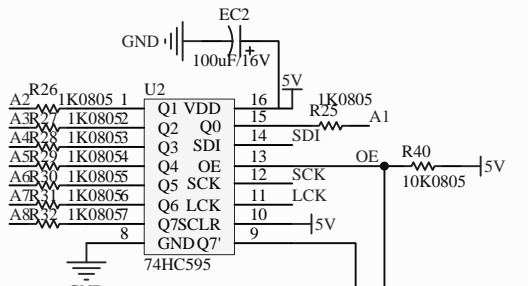
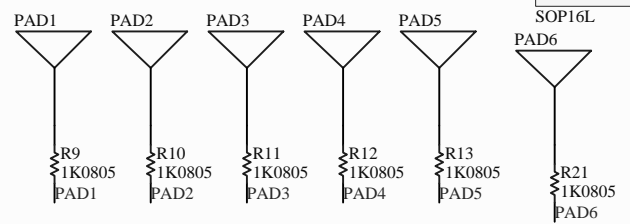
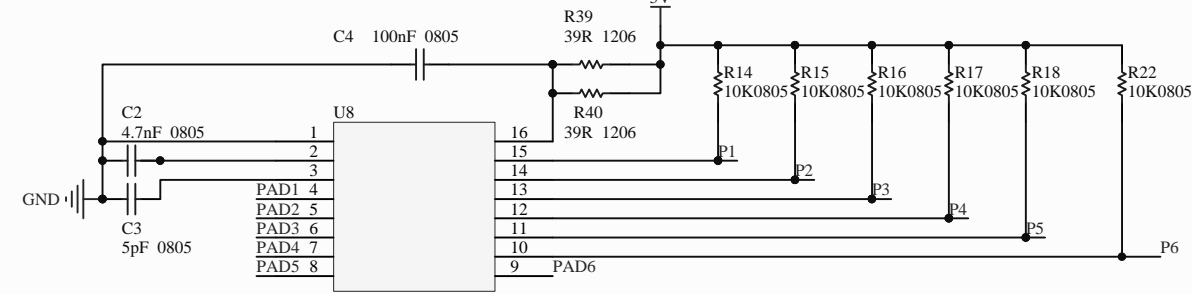
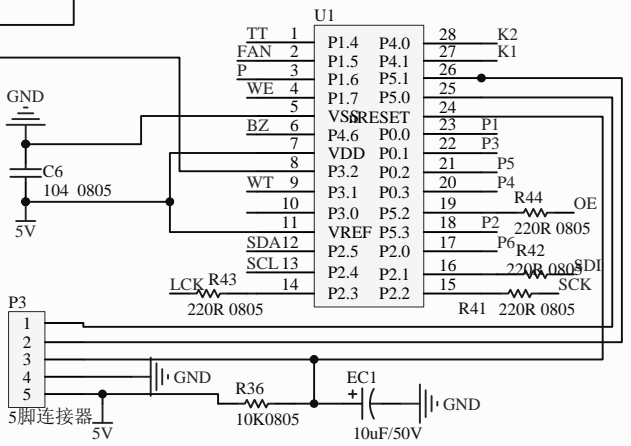
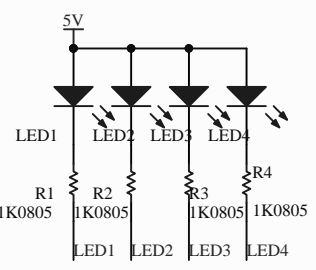
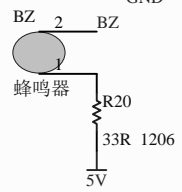
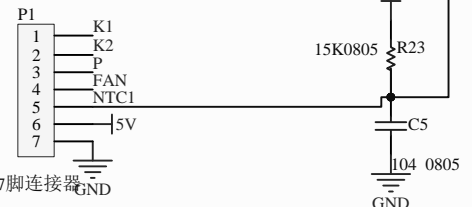
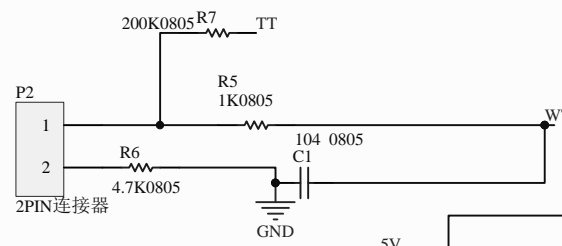
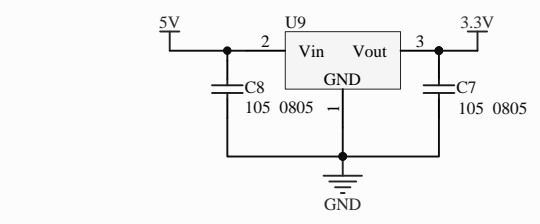
B

C

C

D

D



Title		
Size	Number	Revision
A4		
Date:	2020/3/2	Sheet of
File:	F:\Tonlink\...\SVC150FS key.SchDoc	Drawn By: