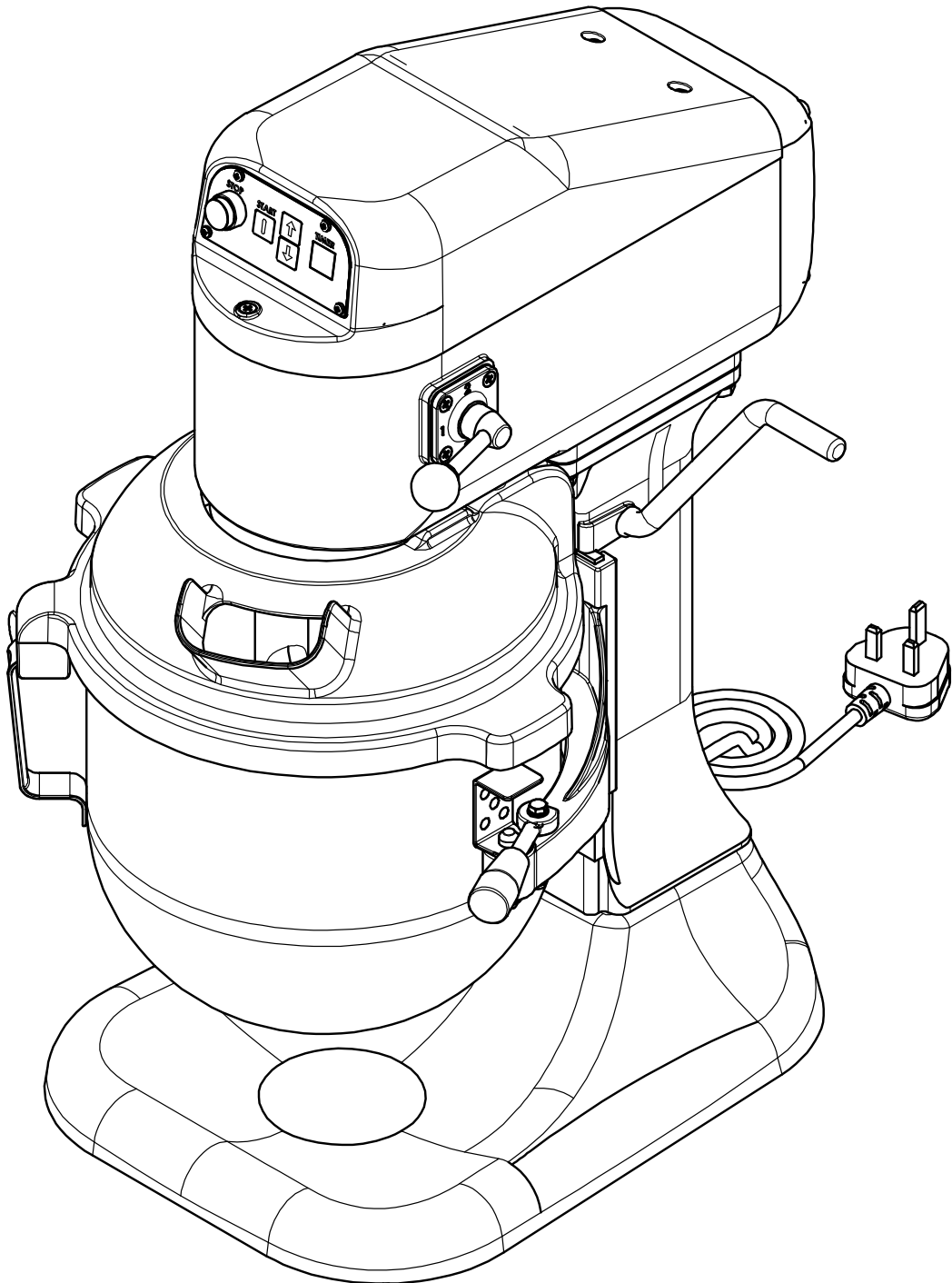
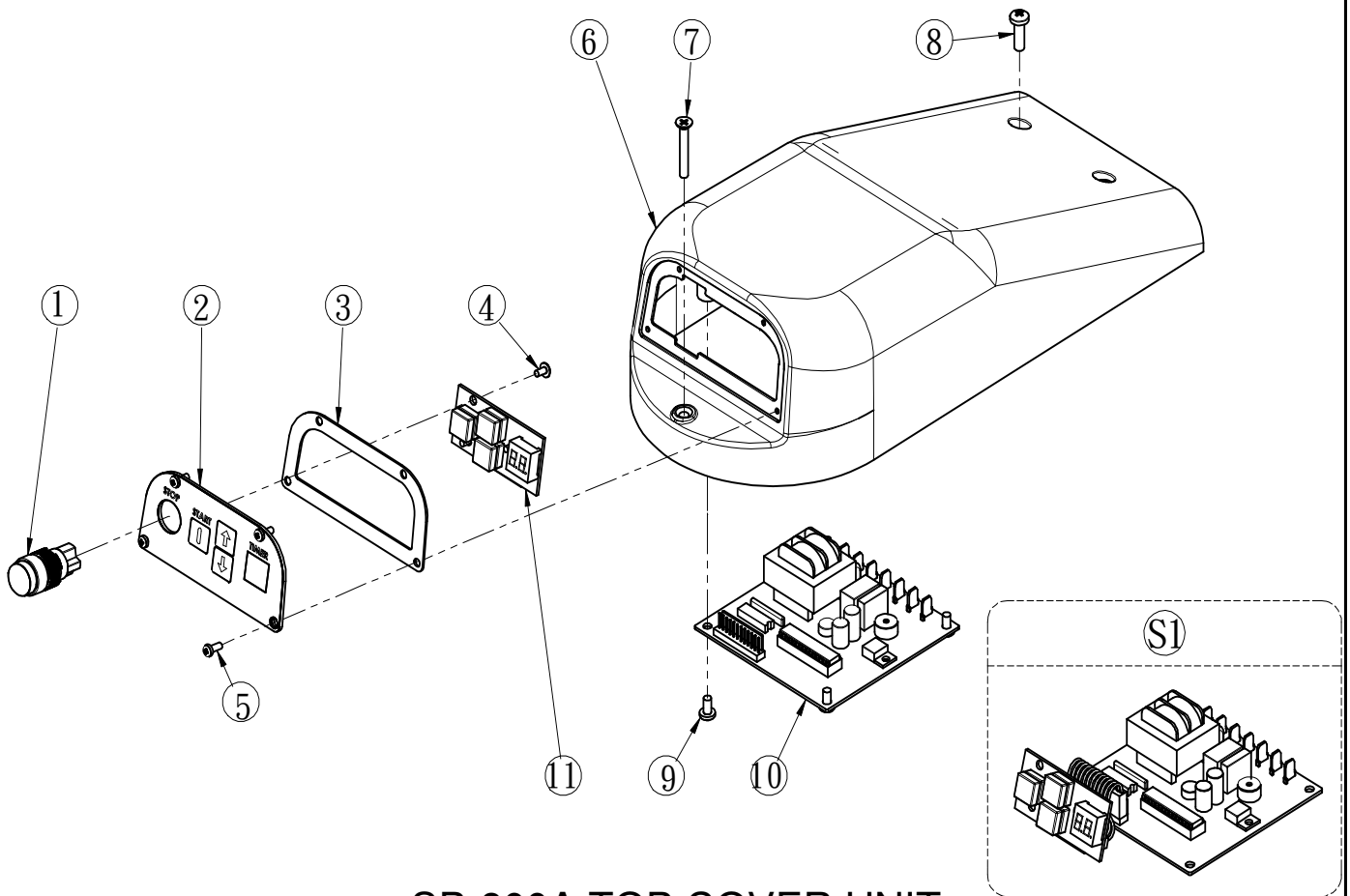


Model SP-800A



2016 Version

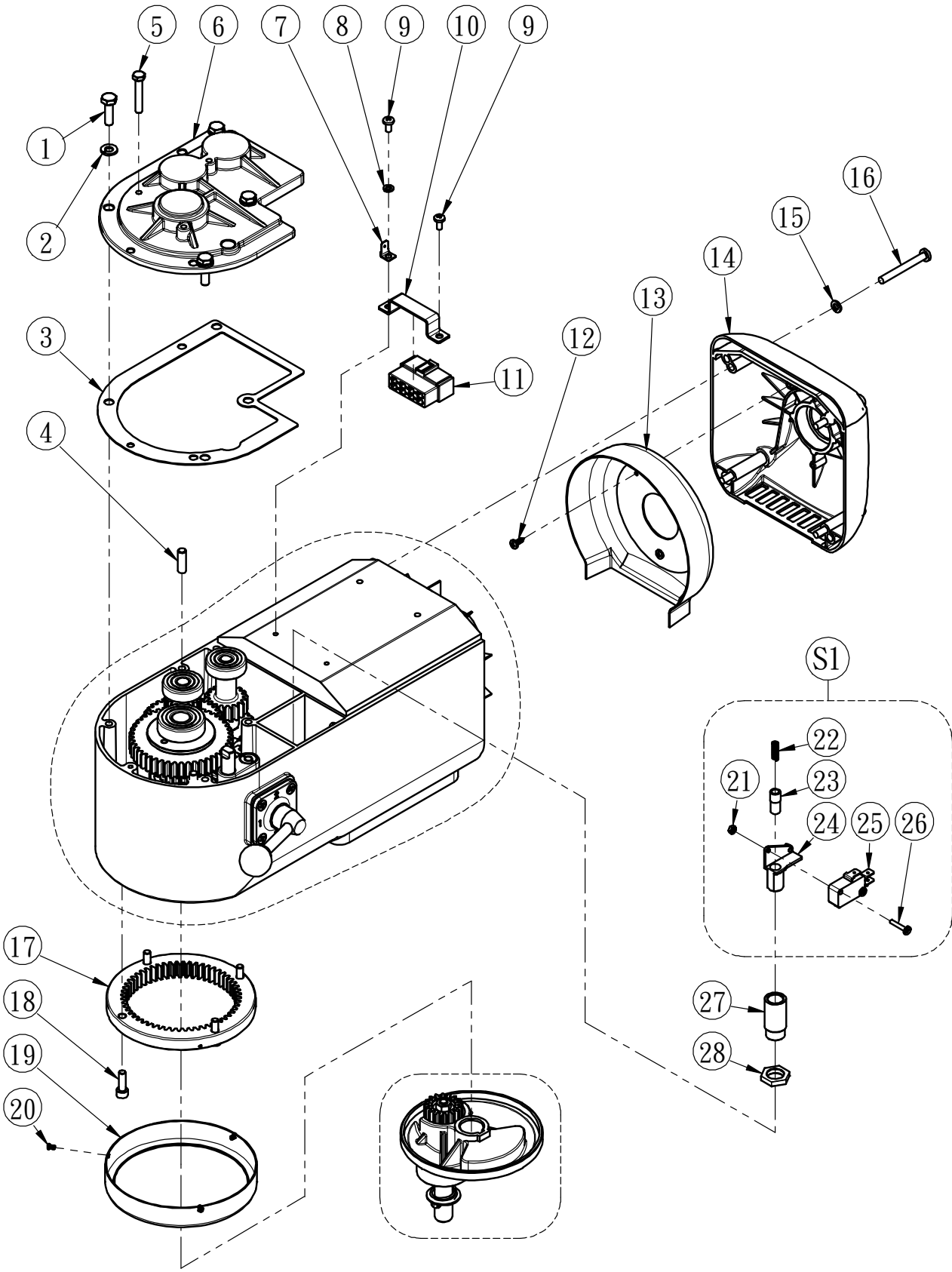
SP-800A TOP COVER UNIT



SP-800A TOP COVER UNIT

ITEM	PART NO.	DESCRIPTION	Q'ty	REMARK
1	J105-001	Emergency Stop Butoon	1	Standard one
	J108-001	Emergency Stop Butoon	1	For the U.K. market use only
2	800A/4	Control Panel	1	
3	800003-2	Gasket	1	
4	A106-A0603-A5	Screw (M3x6L)	3	
5	A105-A0604-D	Screw (M3x8L)	4	
6	800003	Cover, Transmission	1	Please specify color when ordeing
7	A107-A0811-D	Screw (M4x30L)	1	
8	A105-A1008-D	Screw (M5x16L)	2	
9	A105-A0804-D	Screw (M4x8L)	4	
S1	800160-1S	PCB Assembly - 110V; Include LED Display	1	Assembly Part; Please specify the right voltage when ordering
	800160-2S	PCB Assembly - 220V; Include LED Display	1	
10	800160-1	PCB- 110V Only	1	Without LED Display
	800160-2	PCB- 220V Only	1	Without LED Display
11	PL03-C16-IC	LED Display Only	1	Without PCB

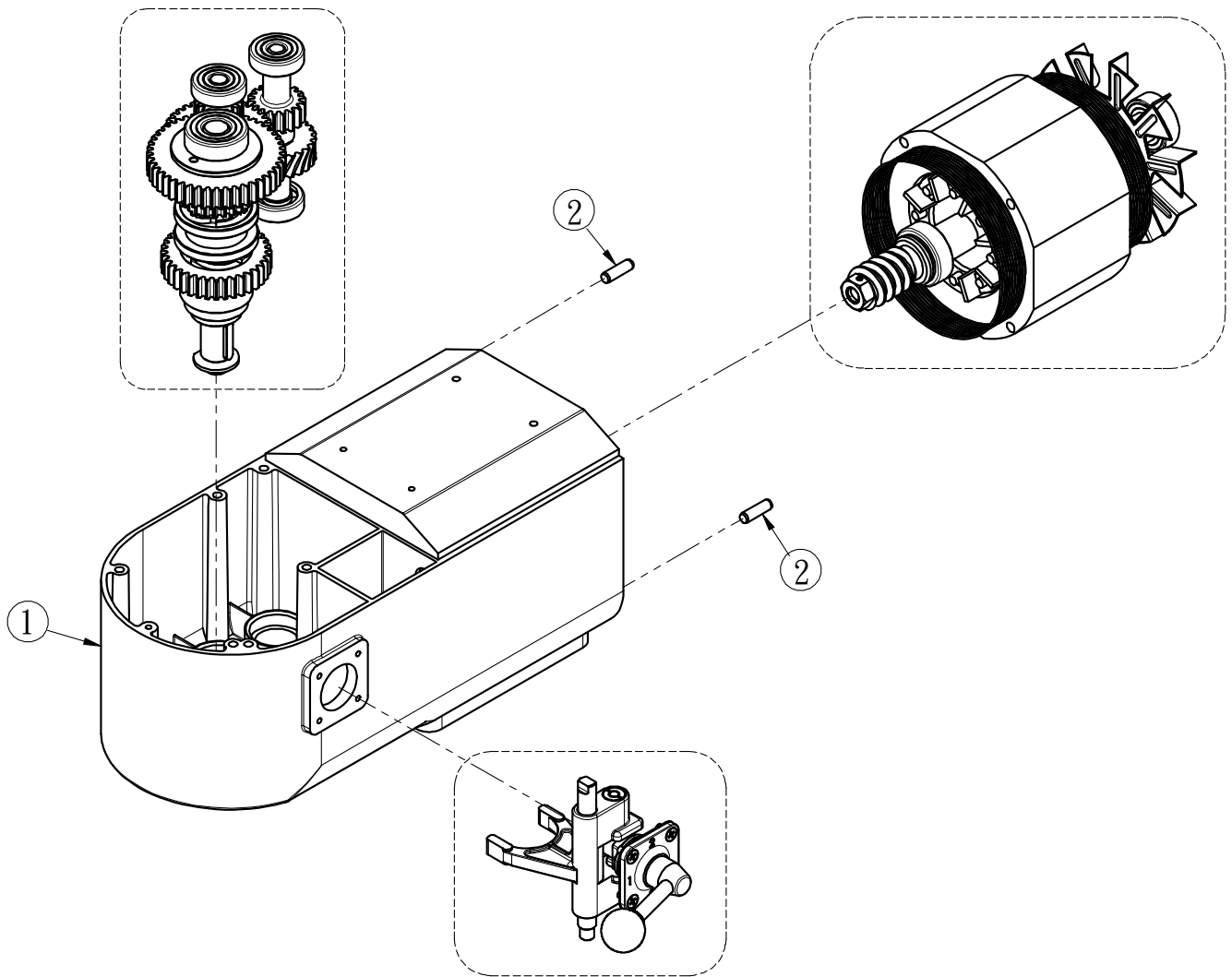
SP-800A HEAD UNIT



SP-800A HEAD UNIT

ITEM	PART NO.	DESCRIPTION	Q'ty	REMARK
1	A101-A1109-A1	Screw(M6x20L)	4	
2	A302-A11-A1	Spring Washer (M6)	4	
3	800148-1	Gasket	1	
4	200074-1	Screw (M6)	2	
5	A101-A1011-A1	Screw(M5x30L)	1	
6	800148	Cover, Gear Box	1	
7	J901-001	Metal Sheet for Grounding	1	
8	A302-A08-A1	Spring Washer (M4)	1	
9	A105-A0804-A1	Screw(M4x8L)	2	
10	800163	Fixture for Terminal	1	
11	-	Wire Terminal	1	From Motor Supplier
12	-	Screw (M3.5x10L)	3	From Motor Supplier
13	-	Cover for Motor Fan	1	From Motor Supplier
14	800062	Motor Rear Cover	1	Please specify color when ordeing
15	A302-A10-A1	Spring Washer (M5)	4	
16	A105-A1014-A1	Screw(M5x45L)	4	
17	800019	Plantary Internal Gear(56T)	1	
18	A102-A1030-C4/G1	Screw(M5x15L)	4	
19	800021	Planetary Holder Cover	1	
20	A105-A0501-D	Screw(M2.6x4L)	3	
S1	30051-1S	Microswitch Assy. For Safety Guard	1	Assembly Part
21	A201-A06-A1	Hex Nut(M3)	2	
22	200075-1	Spring	1	
23	30051-1	Touch Rod(Plastic)	1	
24	30051	Bracket	1	
25	J403-001	Microswitch	1	
26	A105-A0630-A1	Screw(M3x15L)	2	
27	800152-1	Tube	1	
28	800152-2	Nut	1	

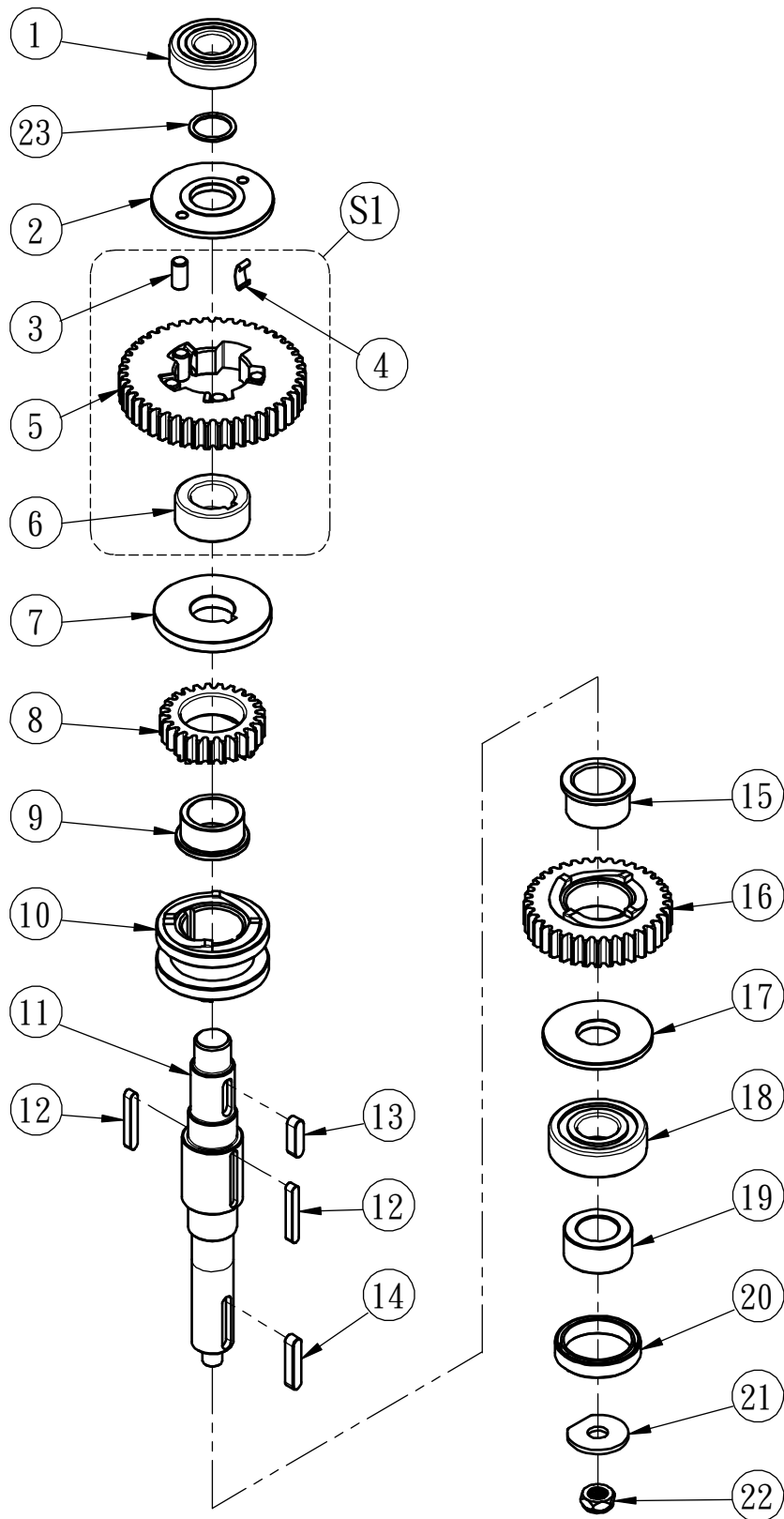
SP-800 & SP-800A HEAD ASSEMBLY



ITEM	PART NO.	DESCRIPTION	Q'ty	REMARK
1	800010	Case, Transmission	1	Please specify color when ordering
2	A901-06020	Level Pin (6x20L)	2	

SP-800 & 800A GEAR BOX ASSEMBLY

Master Shaft Assembly



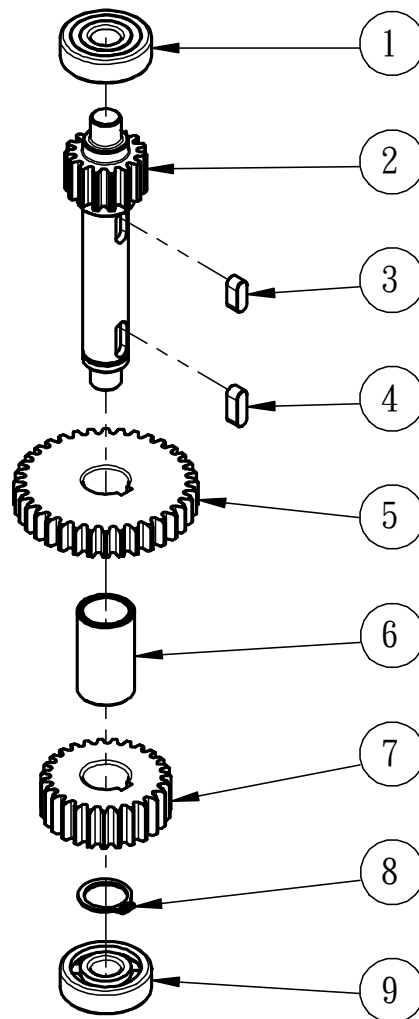
SP-800 & 800A GEAR BOX ASSEMBLY

Master Shaft Assembly

ITEM	PART NO.	DESCRIPTION	Q'ty	REMARK
1	A502-6202ZZ	Ball Bearing(6202ZZ)	1	
2	800105	Lead-in Oil Pad	1	
S1	800107S	First Speed Gear Assy(46T)	1	Assembly Part; Please consult us first before ordering
	800107-1S	First Speed Gear Assy(42T)	1	Assembly Part; Please consult us first before ordering
3	800121	Roll Pillar	5	
4	800122	Spring	5	
5	800107	First Speed Gear(46T)	1	Please consult us first before ordering
	800107-1	First Speed Gear(42T)	1	Please consult us first before ordering
6	800106	Bushing	1	
7	800108	Gasket	1	
8	800109	Clutch Gear (25T)- Third Speed	1	
9	800110	Bushing- Third Speed	1	
10	800123	Clutch Gear - Dual Side	1	
11	800124	Master Shaft	1	
12	A402-040428N	KEY (4x4x28)	2	
13	A402-050518N	KEY (5x5x18)	1	
14	A402-050525N	KEY (5x5x25)	1	
15	800111	Bushing- Second Speed	1	
16	800112	Clutch Gear (36T)- Second Speed	1	Please consult us first before ordering
	800112-1	Clutch Gear (31T)- Second Speed	1	Please consult us first before ordering
	800112-2	Clutch Gear (34T)- Second Speed	1	Please consult us first before ordering
17	800113	Gasket	1	
18	A502-6203LLU	Ball Bearing(6203LLU)	1	
19	800117	Bushing	1	Replacement Kit
20	TC-283507	Oil Seal(28x35x7)	1	
21	800119	Washer (M8x25x2t)	1	
22	A202-A13060-A1	Nut(M8x6H)	1	
23	A304-1519010	Metal Ring (15x19x1t)	1	

SP-800 & SP-800A GEAR BOX ASSEMBLY

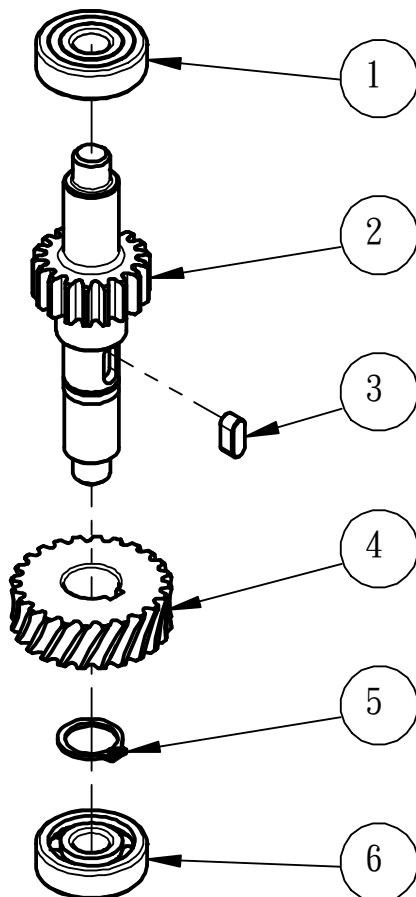
Transmission Shaft Assembly



ITEM	PART NO.	DESCRIPTION	Q'ty	REMARK
1	A502-6200ZZ	Ball Bearing (6200ZZ)	1	
2	800129	Transmission Shaft (15T)	1	Please consult us first before ordering
	800129-1	Transmission Shaft (19T)	1	Please consult us first before ordering
3	A402-050512N	Level Key (5x5x12)	1	
4	A402-050514N	Level Key (5x5x14)	1	
5	800132	Gear, Third Speed (36T)	1	
6	800133	Bushing, Bronze	1	
7	800134	Gear, Second Speed (25T)	1	Please consult us first before ordering
	800134-1	Gear, Second Speed (30T)	1	Please consult us first before ordering
	800134-2	Gear, Second Speed (27T)	1	Please consult us first before ordering
8	STW-15	C-Ring (STW-15)	1	
9	A502-6200	Ball Bearing (6200)	1	

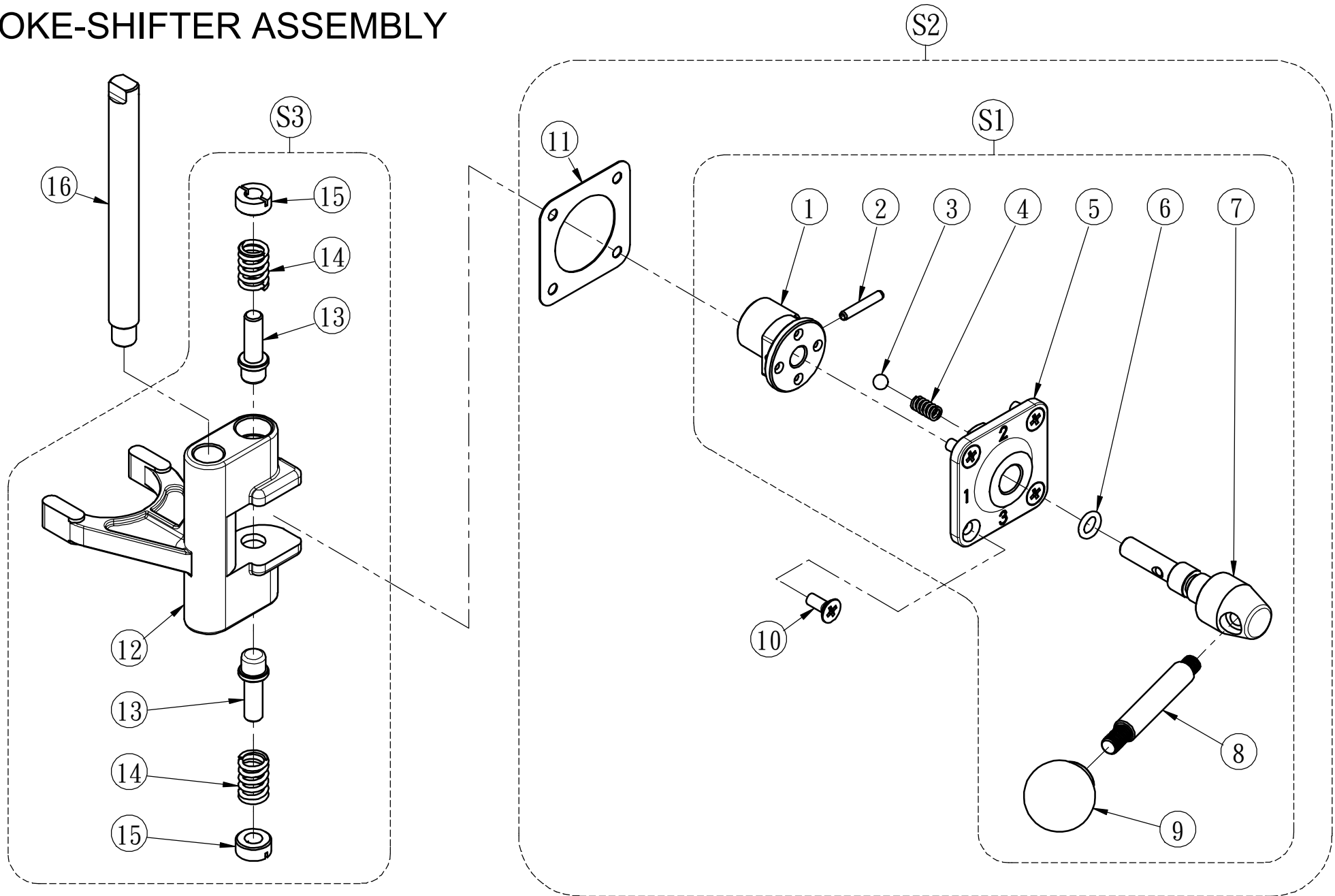
SP-800 & SP-800A GEAR BOX ASSEMBLY

Drive Shaft Assembly



ITEM	PART NO.	DESCRIPTION	Q'ty	REMARK
1	A502-6200ZZ	Ball Bearing (6200ZZ)	1	
2	800143	Drive Shaft (18T)	1	
3	A402-050512N	Level Key (5x5x12)	1	
4	800145	Worm Gear, Bronze- 24T (60HZ Use)	1	Please consult us first before ordering
	800145-1	Worm Gear, Bronze- 20T (50HZ Use)	1	Please consult us first before ordering
	800145-2	Worm Gear, Bronze- 20T (60HZ Use)	1	Please consult us first before ordering
	800145-3	Worm Gear, Bronze- 22T (50HZ Use)	1	Please consult us first before ordering
5	STW-15	C-Ring (STW-15)	1	
6	A502-6200	Ball Bearing (6200)	1	

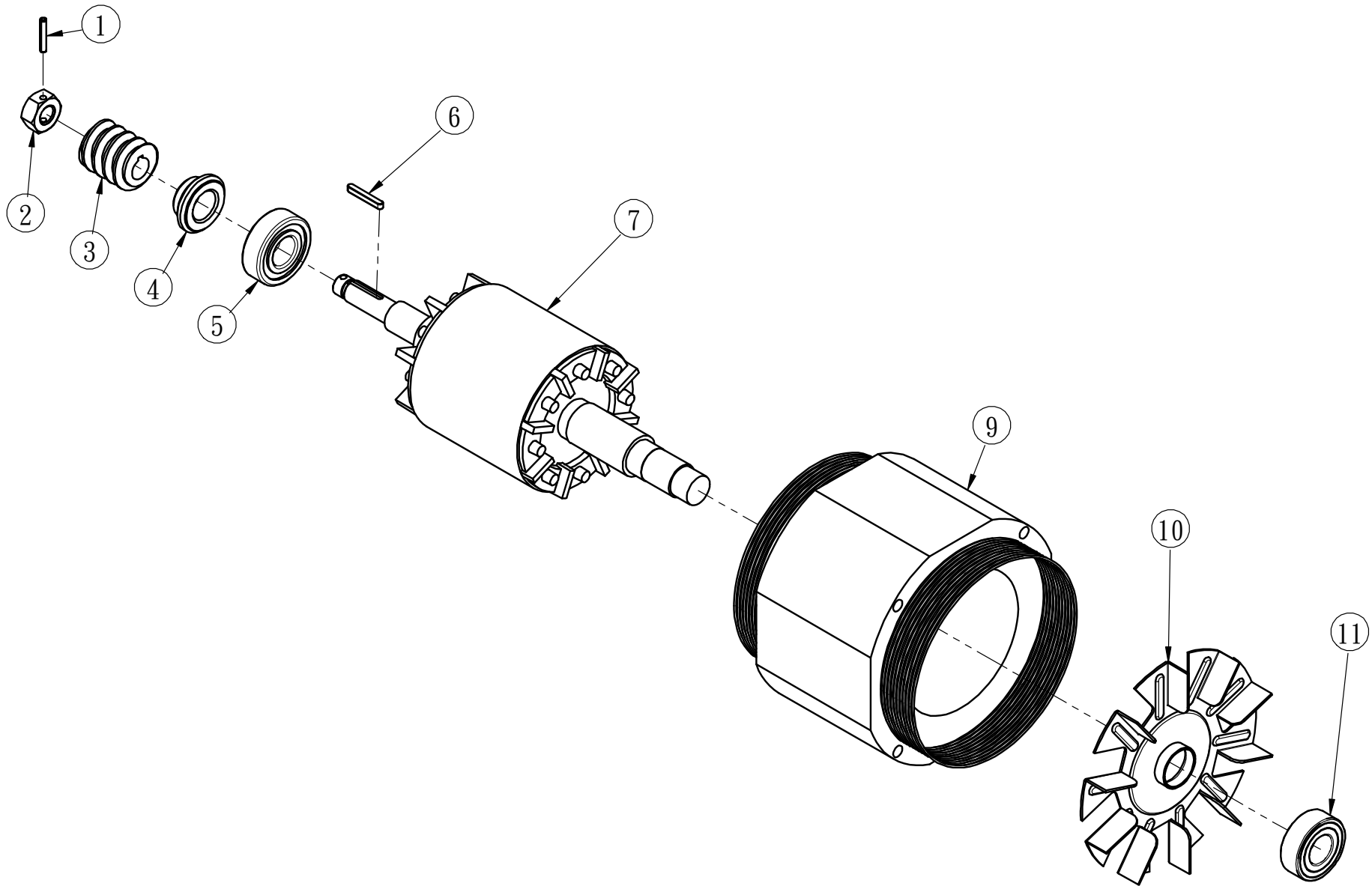
SP-800 & SP-800A SPEED HANDLE & YOKE-SHIFTER ASSEMBLY



SP-800 & SP-800A SPEED HANDLE & YOKE-SHIFTER ASSEMBLY

ITEM	PART NO.	DESCRIPTION	Q'ty	REMARK
S2	800040S	Speed Handle Assembly with Gasket and Screw	1	Assembly Part
S1	800045S	Speed Handle Assembly without Gasket and Screw	1	
1	-	-	1	
2	-	-	1	
3	-	-	2	
4	-	-	2	
5	-	-	1	
6	-	-	1	
7	-	-	1	
8	800047	Handle	1	
9	U101-001	Konb M6	1	
10	A107-A0805-A1	Screw(M4x10L)	4	
11	800040	Gasket	1	
S3	800137S	Yoke-Shifter Assembly	1	Assembly Part
12	-	-	1	
13	-	-	2	
14	-	-	2	
15	-	-	2	
16	800141	Rod- Shifter Guide	1	

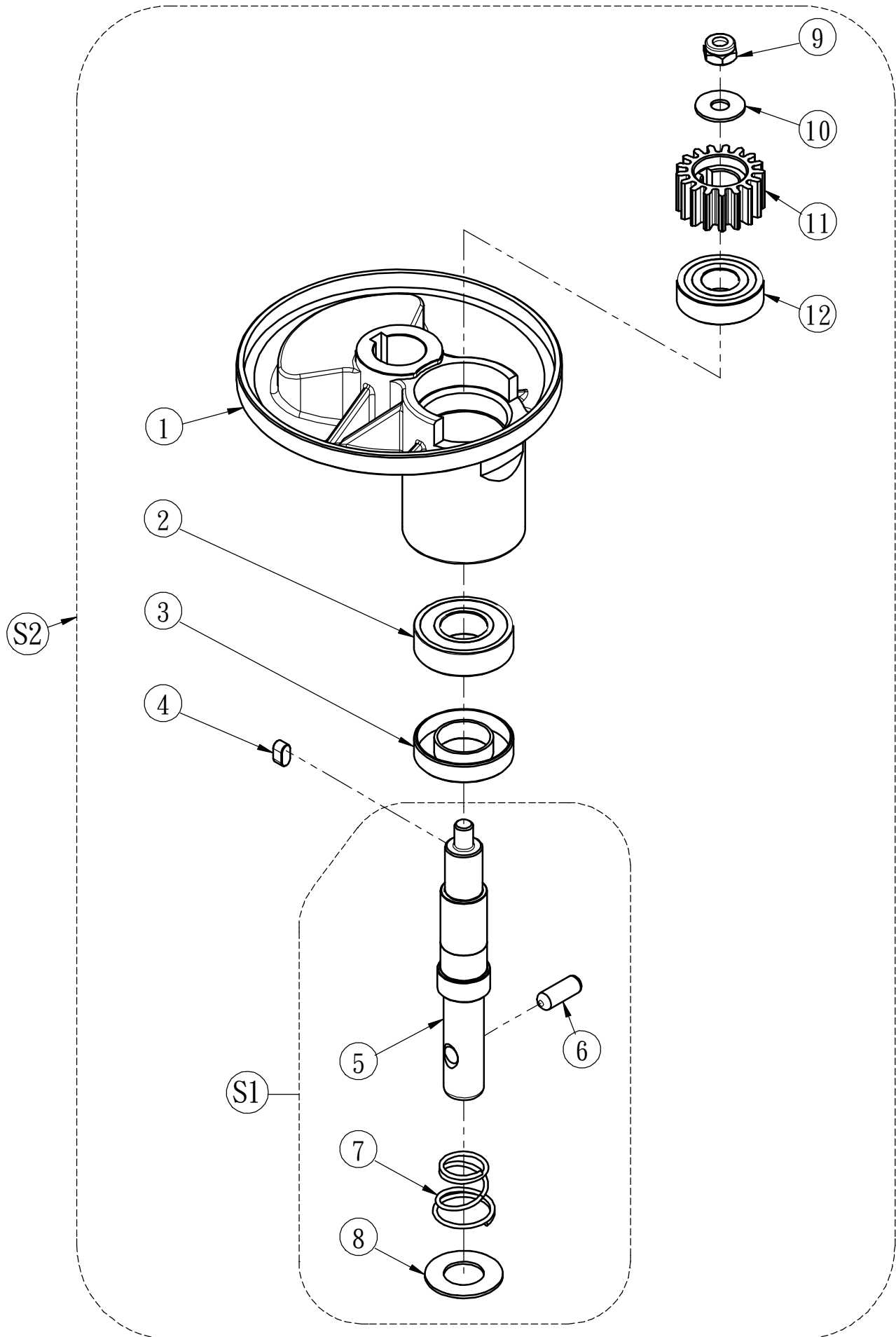
SP-800 & SP-800A MOTOR ASSEMBLY



SP-800 & SP-800A MOTOR ASSEMBLY

ITEM	PART NO.	DESCRIPTION	Q'ty	REMARK
1	A902-03018	Spring Pin (3x18L)	1	From Motor Supplier
2	A201-A15	Nut (M10)	1	From Motor Supplier
3	800053	Worm-5T (60HZ Use)	1	Please consult us first before ordering
	800053-1	Worm-5T (50HZ Use)	1	Please consult us first before ordering
	800053-2	Worm-3T (60HZ Use)	1	Please consult us first before ordering
	800053-3	Worm-4T (50HZ Use)	1	Please consult us first before ordering
4	800054	Bushing	1	
5	A502-6202LLU	Ball Bearing (6202LLU)	1	From Motor Supplier
6	A402-030322	Level Key (3x3x22)	1	From Motor Supplier
7	800A/56	Motor Shaft & Rotor	1	From Motor Supplier
8	-	-	-	
9	800A/57	Motor Coil	1	From Motor Supplier
10	800A/163	Motor Fan	1	From Motor Supplier
11	A502-6202ZZ	Ball Bearing (6202ZZ)	1	From Motor Supplier

SP-800 & SP-800A PLANETARY UNIT



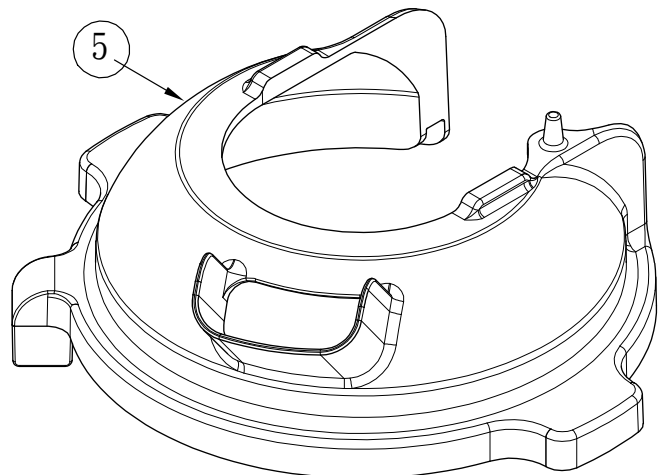
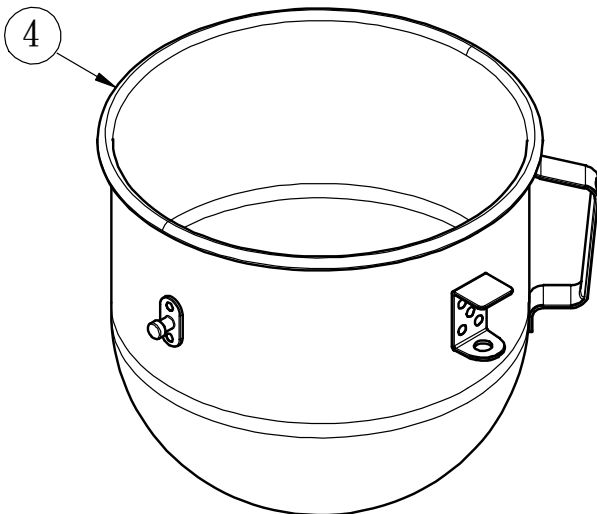
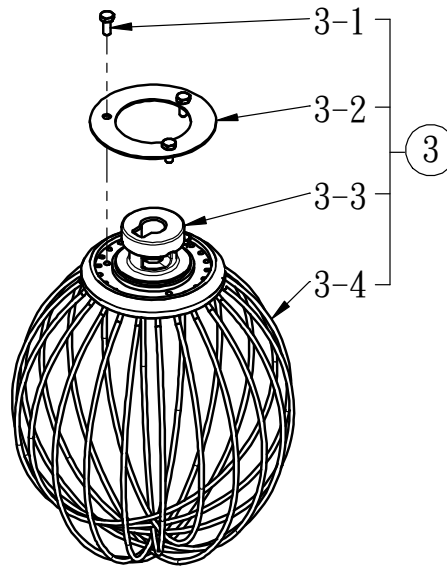
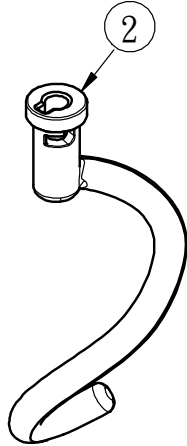
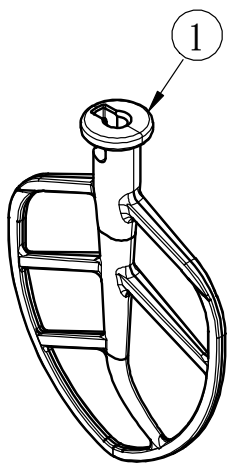
SP-800 & SP-800A PLANETARY UNIT

ITEM	PART NO.	DESCRIPTION	Q'ty	REMARK
1	800020	Planetary Holder	1	Please specify color
2	A502-6002ZZ	Ball Bearing(6002ZZ)	1	
3	TC-173207	Oil Seal(17x32x7)	1	
4	A402-040408N	KEY (4x4x8)	1	
S1	800024S	Planetary Shaft Assembly	1	Assembly Part
5	-	Planetary Shaft	1	
6	800037	Pin	1	
7	-	Spring	1	
8	-	Washer(M13x25x1t)	1	
9	A201-A11-A1	Hex Nut(M6)	1	
10	A301-A11-16-2-A1	Washer(M6x16x2t)	1	
11	800017	Pinion Gear(17T)	1	
12	A502-6001LLU	Ball Bearing(6001LLU)	1	
S2	800020S	Planetary Holder Assembly include Planetary Holder, Shaft and other	1	Assembly Part; Please specify color

SP-800 & SP-800A BODY AND BASE UNIT

ITEM	PART NO.	DESCRIPTION	Q'ty	REMARK
1	800099	Base	1	Please specify color when ordering
2	800075	Mixer Column	1	Please specify color when ordering
3	800086	Bowl Cradle	1	Please specify color when ordering
S1	800089S	Bowl Clamp Assembly	2	Assembly Part
4	A101-C0113-B1/G1	Screw(3/16"x1 3/4"L)	2	
5	A301-A10-10-1-A1	Washer(M5x10x1t)	5	
6	800089	Bowl Clamp	2	
7	RC033-1	Plastic Knob	2	
8	800091	Spring	2	
9	A202-C01050-A1	Nut(3/16"x5H)	2	
S2	800096S	Dowel Assy- Bowl Locating	2	
10	800096	Dowel - Bowl Locating	2	
11	A301-A13-16-1-A1	Washer(M8x16x1t)	2	
12	A202-A13060-A1	Nut(M8x6H)	2	
13	A105-A0801-D	Screw(M4x4L)	2	
14	800088	Bowl Limit Pad	1	
15	A107-A1005-A1	Screw(M5x10L)	2	
16	800095	Bracket	1	
17	A301-A13-16-3-A1	Washer(M8x16x2t)	10	
18	A302-A13-A1	Spring Washer (M8)	8	
19	A101-A1309-A1	Screw(M8x20L)	4	
20	A103-A1005-C4B/G1	Screw(M5x10L)	1	
21	A902-06016	Pin (6x16L)	2	
S3	800067S	Bowl Lift Rod Assy	1	Assembly Part
22	-	-	1	
23	-	-	1	
24	-	-	1	
25	-	-	1	
26	A902-05025	Pin (5x25L)	1	
27	800072	Pin	1	
28	A202-A13080-A1	Nut(M8x8H)	1	
29	A601-010-01	O-Ring(10x3)	1	
30	800065	Bowl Lift Handle	1	
31	A201-C01-A1	Hex Nut(3/16")	2	
32	A302-A10-A1	Spring Washer (M5)	1	
33	-	Ground Wire	1	
34	A303-A10-A1	Washer(M5)	1	
35	A106-C0106-A1	Screw(3/16"x1/2"L)	2	
36	800/84	Fixture for Capacitor	1	
37	800/83	Capacitor	1	Please specify voltage when ordering
38	J601-6A-S-SP	Circuit Breaker- 6A	1	110V Use
	J601-5A-S-SP	Circuit Breaker- 5A	1	220V Use
39	T401-001	Strain Relief(15.9x14)	1	
40	800/79	Power Cord	1	
41	A101-A1308-A1	Screw(M8x16L)	4	
42	800100	Rubbert Mat	4	

SP-800A ACCESSORY LIST



ITEM	PART NO.	DESCRIPTION	Q'ty	REMARK
1	800025-2	Flat Beater- Aluminum	1	Standard Accessory
	800025-1	Flat Beater- Stainless Steel	1	Optional Accessory
2	800026	Dough Hook- Aluminum	1	Standard Accessory
	800026-1	Dough Hook- Stainless Steel	1	Optional Accessory
3	800027S	Whip	1	Assembly Part
3-1	A101-A0805-D	Screw	3	
3-2	800029	Cover for Whip	1	
3-3	-		-	
3-4	-		-	
4	800030S	Bowl	1	
5	800155	Plastic Safety Guard	1	